



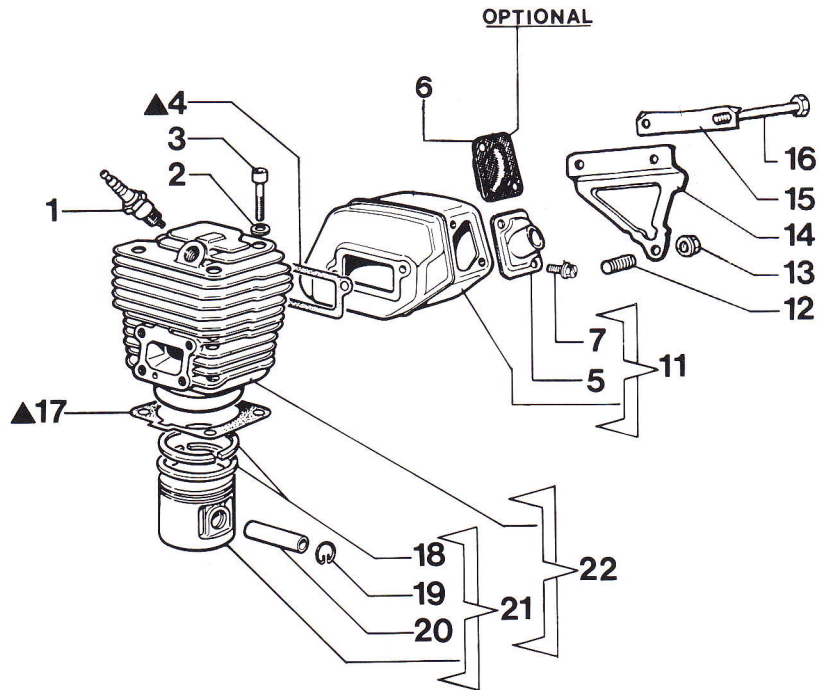
GRUPPO AVVIAMENTO / STARTER ASSY
GROUPE DEMARRAGE / PUESTA EN MARCHA

1 A5

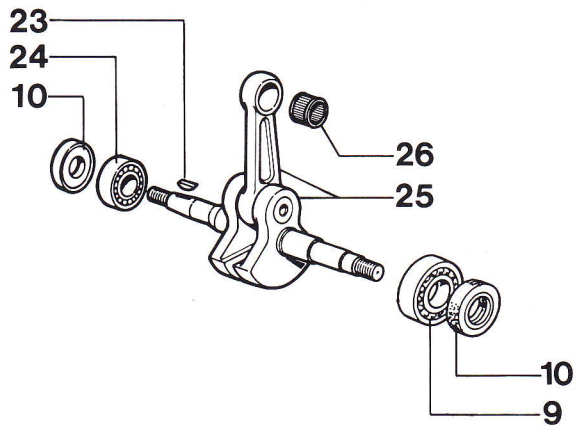
SERVICE

mod. 999 - 999F

REF.	PART. NO.	SOSTITUITO DA REEMPLACÉ PAR REPLACED BY	DESCRIZIONE ITALIANO	DESCRIPTION ENGLISH	DESCRIPTION FRANÇAIS	DESCRIPCION ESPAÑOL	Bollettino - Bulletin		
							Gr.	N°	Data-Date
1	0060.00123		CORDA	ROPE	CORDE	CUERDA			
2	0060.00124		INSERTO	INSERT	ENTRETOISE	RETEN			
3	0999.00617		IMPUGNATURA	HANDLE	POIGNEE	EMPUNADURA			
4	0945.00280		TAPPO	CAP	BOUCHON	TAPON			
5	0999.00296		VITE	SCREW	VIS	TORNILLO			
6	0999.00657		CARTER ARANCIO	STARTER CASE OR.	CARTER ORANGE	CARTER ANAR.			
	0999.00658		CARTER ROSSO	STARTER CASE RED ..	CARTER ROUGE	CARTER ROJO			
7	0060.00829		RONDELLA	WASHER	RONDELLE	ARANDELA			
8	0999.00125		MOLLA	SPRING	RESSORT	RESORTE			
9	0999.00446		RONDELLA	WASHER	RONDELLE	ARANDELA			
10	0060.00134		BOCCOLA	BUSHING	DOUILLE	BUJIE			
11	0060.01021		PULEGGIA	PULLEY	POULIE	POLEA			
12	0060.00135		RONDELLA	WASHER	RONDELLE	ARANDELA			
13	0050.00136		VITE	SCREW	VIS	TORNILLO			
14	0999.00590		COPERCHIO	COVER	COUVERCLE	TAPA			
15	3908004		VITE	SCREW	VIS	TORNILLO			
16	0999.00067	0185.00140	FLANGIA	FLANGE	FLASQUE	PLACA	4	56	12-98
17	0999.00616		AVVIAM. COMPL. ARANCIO	STARTER ASSY OR.	DEMARRAGE COMPL. OR. ...	ARRANQUE COMPL. ANAR. ..			
	0999.00647		AVVIAM. COMPL. ROSSO ...	STARTER ASSY RED	DEMARRAGE COMPL. ROUGE	ARRANQUE COMPL. ROJO ...			
18	0945.00497		INTERRUTTORE	SWITCH	INTERRUPTEUR	INTERRUPTOR			
19	0040.00438		PIASTRINA	PLATE	PLAQUETTE	PLACA			
20	0999.00397		DADO	NUT	ECROU	TUERCA			
21	0999.00158		CAVO	CABLE	CABLE	CABLE			
22	0945.00049		PIPETTA	CAP	CAPUCHON	CUBRE BUJIA			
23	0061.00188		MOLLA	SPRING	RESSORT	RESORTE			
24	0999.00159		BOBINA	COIL	BOBINE	BOBINA	4	56	12-98
25	0940.00101		VITE	SCREW	VIS	TORNILLO			
26	3833073		RONDELLA	WASHER	RONDELLE	ARANDELA			
27	0050.00343		RONDELLA	WASHER	RONDELLE	ARANDELA			
28	0060.00142		DADO	NUT	ECROU	TUERCA			
29	0060.00141		ANELLO	SNAP RING	CIRCLIPS	ANILLO			
30	0060.00139		MOLLA	SPRING	RESSORT	RESORTE			
31	0999.00601		KIT ARPIONCINO	PAWL KIT	KIT CLIQUETTE	GRUPO UNA			
32	0999.00165A		VOLANO COMPL.	FLYWHELL	VOLANT COMPL.	VOLANTE			



OPTIONAL



8▲



SERVICE

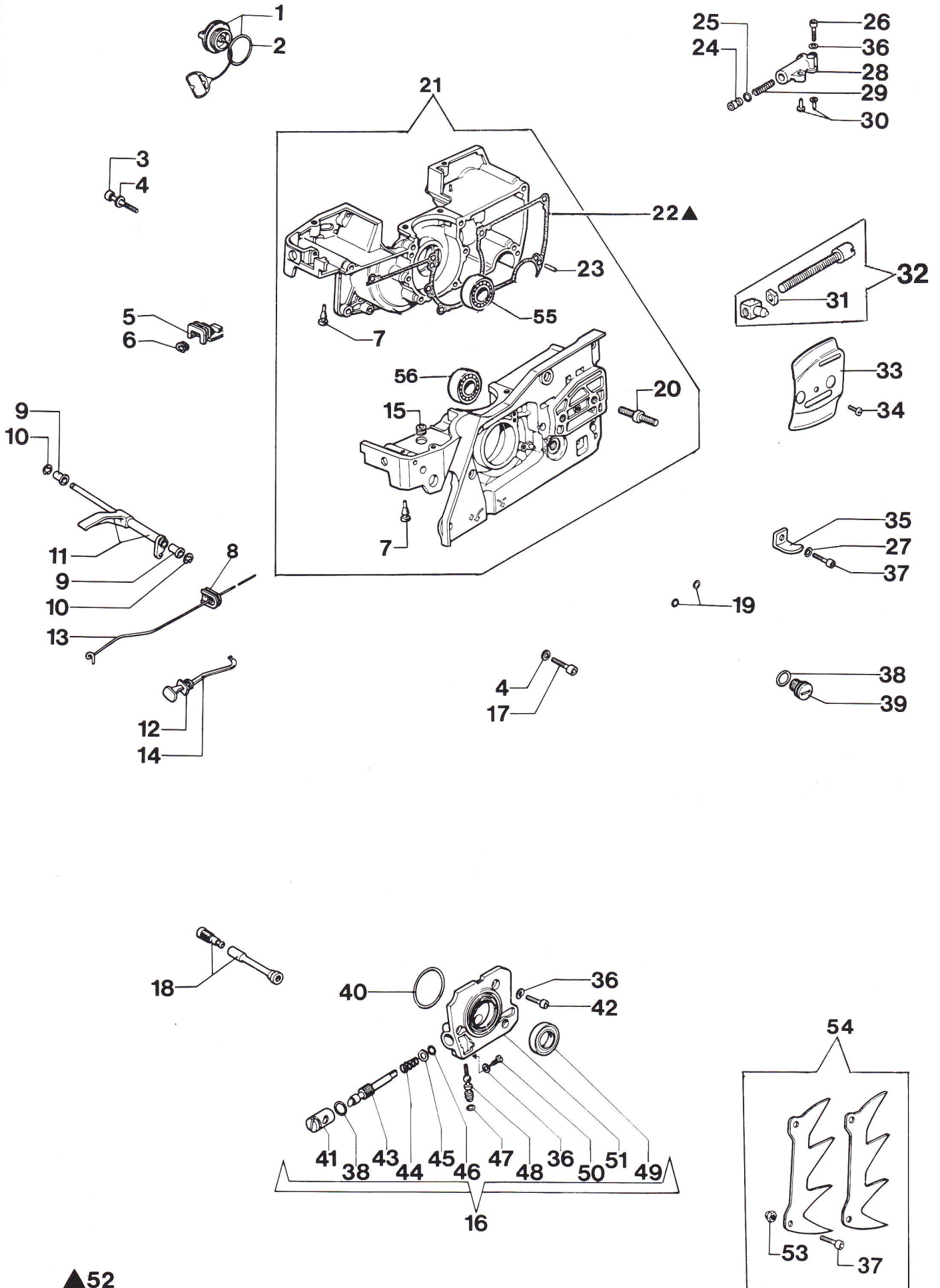
MOTORE / ENGINE
MOTEUR / MOTOR

1 B7

mod. 999 - 999F

REF.	PART. NO.	SOSTITUITO DA REEMPLACÉ PAR REPLACED BY	DESCRIZIONE ITALIANO	DESCRIPTION ENGLISH	DESCRIPTION FRANÇAIS	DESCRIPCION ESPAÑOL	Bollettino - Bulletin		
							Gr.	N°	Data-Date
1	0050.00019		CANDELA	SPARK PLUG	BOUGIE	BUJIE			
2	3833076		RONDELLA	WASHER	RONDELLE	ARANDELA			
3	0999.00195		VITE	SCREW	VIS	TORNILLO			
4	0999.00032		GUARNIZIONE	GASKET	JOINT	JUNTA			
5	0999.00074		FLANGIA SCARICO	MANIFOLD	TUYAU D'ÉCHAPMENT	TUBO DE ESCAPE			
6	0999.00052		RETICELLA ROMPIFIAMMA	FLAME TRAP	CASSE FLAMME	ROMPE-LLANA			
7	0999.00297		VITE	SCREW	VIS	TORNILLO			
8	0999.00344A		SERIE GUARNIZIONI	GASKET SET	JEUDE JOINT	JUEGO DE JUNTAS			
9	0999.00263		CUSCINETTO	BEARING	ROULEMENT	COJINETE			
10	3050015A		ANELLO DI TENUTA	SEAL RING	PARE-HUIL	RETEN			
11	0999.00063		MARMITTA	COMPL. MUFFLER	POT D'ÉCHAPMENT COMPL.	ESCAPE COMPL.			
12	0999.00486		VITE	SCREW	VIS	TORNILLO			
13	3933100		DADO	NUT	ECROU	TUERCA			
14	0999.00055		LAMIERINO	PLATE	PLAQUETTE	LAMINA			
15	0999.00482		LAMIERINO	PLATE	PLAQUETTE	LAMINA			
16	0999.00167		VITE	SCREW	VIS	TORNILLO			
17	0999.00037A		GUARNIZIONE	GASKET	JOINT	JUNTA			
18	0999.00450		SEGMENTO	PISTON RING	SEGMENT	ARO PISTON			
19	0999.00073		ANELLO	SNAP RING	CIRCLIP	ANILLO			
20	0999.00002		SPINOTTO	PISTON PIN	GOIJON	PERNO PISTON			
21	0999.00342		PISTONE COMPL.	COMPL. PISTON	PISTON COMPL.	PISTON COMPL.			
22	0185.00029		CILINDRO COMPL.	COMPL. CYLINDER	CYLINDRE COMPL.	CILINDRO COMPL.			
23	3028014		CHIAVETTA	KEY	CLAVETTE	CHAVETA			
24	0999.00006		CUSCINETTO	BEARING	ROULEMENT	COJINETE			
25	0999.00011		ALBERO MOTORE	SHAFT	VILEBREQUIN	CIGUENAL			
26	0999.00005	3037021	CUSCINETTO	BEARING	ROULEMENT	COJINETE			

Non più disponibile dal/ Not available anymore since/ N'est plus disponible à partir du/ No se fabrica más desde el

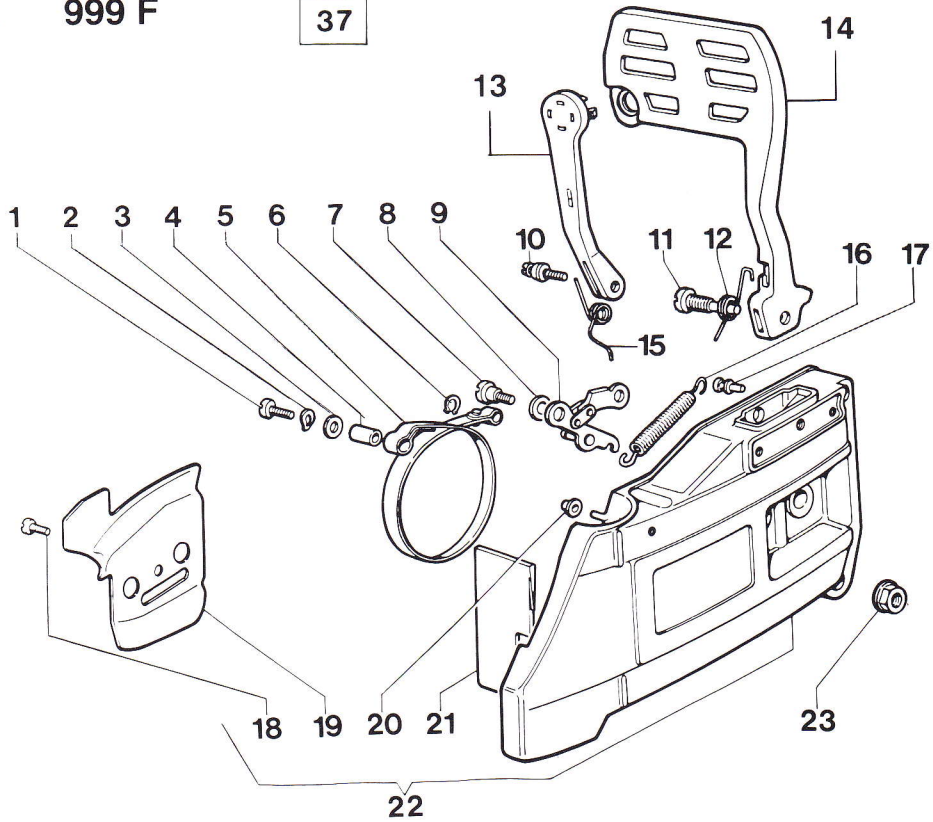


REF.	PART. NO.	SOSTITUITO DA REEMPLACÉ PAR REPLACED BY	DESCRIZIONE ITALIANO	DESCRIPTION ENGLISH	DESCRIPTION FRANÇAIS	DESCRIPCION ESPAÑOL	Bollettino - Bulletin		
							Gr.	N°	Data-Date
1	0999.00602		TAPPO COMPL.	CAP ASSY	BOUCHON COMPL.	TAPON COMPL.			
2	0999.00090		O-R	O-RING	O-RING	O-RING			
3	0060.00101		VITE	SCREW	VIS	TORNILLO			
4	3833073		RONDELLA	WASHER	RONDELLE	ARANDELA			
5	0999.00112		COLLARE	COLLAR	COLLIER	COLLAR			
6	0999.00144		PASSACAVO	BUSHING	PASSE-CABLE	PASACABLE			
7	0999.00268		ANTIVIBRANTE	SHOCK ABSORBER	AMORTISSEUR	ANTIVIBRADOR			
8	0999.00113		PASSACAVO	BUSH	PASSE-CABLE	PASACABLE			
9	0999.00270		BOCCOLA	BUSHING	BAGUE	BUJE			
10	0999.00091		ANELLO	SNAP RING	CIRCLIP	ANILLO			
11	0999.00626		LEVA	LEVER	LEVIER	PALANCA			
12	0999.00114		PASSACAVO	BUSHING	PASSE-CABLE	PASACABLE			
13	0999.00129		LEVA	LEVER	LEVIER	PALANCA			
14	0999.00627		LEVA STARTER	STARTER LEVER	LEVIER STARTER	PALANCA			
15	0999.00110		PASSACAVO	BUSHING	PASSE-CABLE	PASACABLE			
16	0999.00301		POMPA OLIO COMPL.	OIL PUMP ASSY	POMPE HUILE COMPL.	BOMBA DE ACEITE			
17	0060.00235		VITE	SCREW	VIS	TORNILLO			
18	0999.00287		FILTRO OLIO	OIL FILTER	FILTRE HUILE	FILTRO DE ACEITE			
19	3049005		O-R	O-RING	O-RING	O-RING			
20	0999.00095		PRIGIONIERO	STUD	VIS	TORNILLO			
21	0999.00662		BASAMENTO ARANCIO	CRANKCASE OR	CARTER MOTEUR OR	CARTER MOTOR ANAR.			
	0999.00408		BASAMENTO ROSSO	CRANKCASE RED	CARTER MOUTER ROUGE.	CARTER MOTOR ROJO			
22	0999.00065		GUARNIZIONE	GASKET	JOINT	JUNTA			
23	3023008		SPINA	PIN	CHEVILLE	PERNO			
24	0999.00088		PISTONCINO POMPA	PUMP PISTON	PISTON POMPE	PISTON			
25	0082.00282		O-R	O-RING	O-RING	O-RING			
26	0060.00024		VITE	SCREW	VIS	TORNILLO			
27	3833076		RONDELLA	WASHER	RONDELLE	ARANDELA			
28	0999.00087A		CORPO POMPA M.	OIL PUMP BODY	SUPPORT POMPE	CUERPO BOMBA			
29	0999.00106		MOLLA	SPRING	RESSORT	RESORTE			
30	0945.00577		VALVOLA	VALVE	SOUPAPE	VALVULA			
31	0980.00076		FERMO TENDICATENA	ADJUST. LOCK	ARRET VIS	RETEN TENSOR			
32	0999.00368B		TENDICATENA COMPL.	CHAIN ADJUST ASSY	VIS TENSION COMPL.	TORNILLO TENSOR			
33	0999.00134		LAMIERINO INTERNO	INNER PLATE	PLAQUETTE	LAMINA INTERNA			
34	0060.00156		VITE	SCREW	VIS	TORNILLO			
35	0999.00135		PROTEZ. CATENA	CHAIN CATCHER	ARRET DU CHAINE	CHAPA			
36	0060.00315		RONDELLA	WASHER	RONDELLE	ARANDELA			
37	0999.00169		VITE	SCREW	VIS	TORNILLO			
38	0060.00117		O-R	O-RING	O-RING	O-RING			
39	0999.00290		TAPPO	CAP	BOUCHON	TAPON			
40	0999.00126		O-R	O-RING	O-RING	O-RING			
41	0999.00119		BOCCOLA	BUSHING	BAGUE	BUSE			
42	0060.00085		VITE	SCREW	VIS	TORNILLO			
43	0999.00117		PISTONCINO P.	PUMP PISTON	PISTON POMPE	PISTON ACEITE			
44	0999.00105		MOLLA	SPRING	RESSORT	RESORTE			
45	0999.00200		RONDELLA	WASHER	RONDELLE	ARANDELA			
46	0082.00279		O-R	O-RING	O-RING	O-RING			
47	3049002		O-R	O-RING	O-RING	O-RING			
48	0999.00118		VITE REGISTRO	ADJUST SCREW	VIS DE REGLAGE	TORNILLO DE REGULACION			
49	3050015A		ANELLO DI TENUTA	SEALING RING	BAGUE	RETEN			
50	0999.00116		VITE	SCREW	VIS	TORNILLO			
51	0999.00214A		CORPO POMPA	OIL PUMP BODY	CORPS DE POMPE	CUERPO BOMBA			
52	0999.00344		SERIE GUARNIZIONI	GASKET SET	JEUDE JOINTS	JUEGO DE JUNTAS			
53	0181.00045		DADO	NUT	ECROU	TUERCA			
54	0999.00377		KIT ARTIGLI	SPIKE SET	GRIFFE COMPL.	ARPON COMPL.			
55	0999.00006		CUSCINETTO	BEARING	ROULEMENT	COJINETE			
56	0999.00263		CUSCINETTO	BEARING	ROULEMENT	COJINETE			

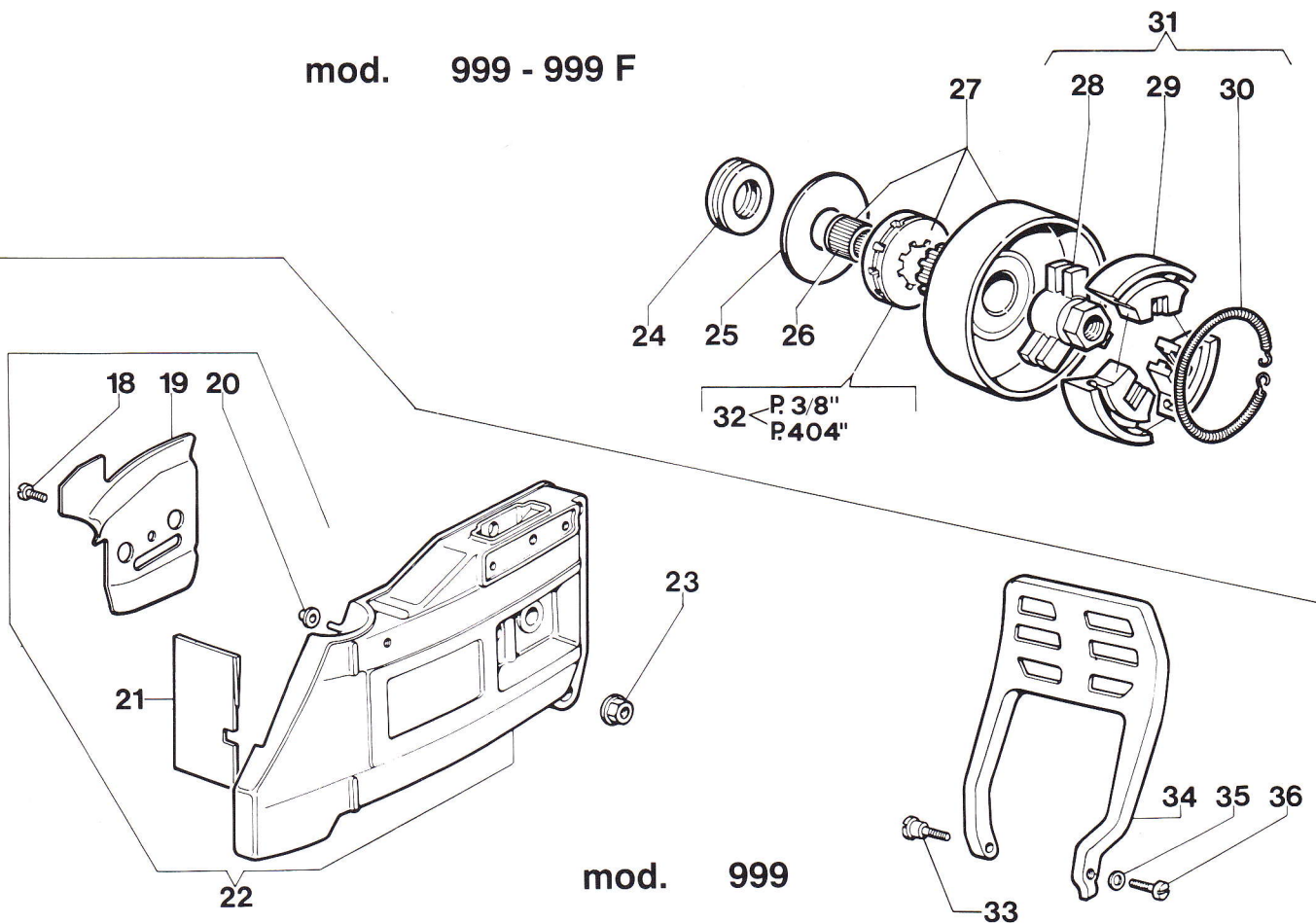
mod. 999 - 999F

mod. 999 F

37



mod. 999 - 999 F





SERVICE

GRUPPO FRIZIONE / CLUTCH ASSY
GROUPE EMBRAYAGE / GRUPO EMBRAGUE

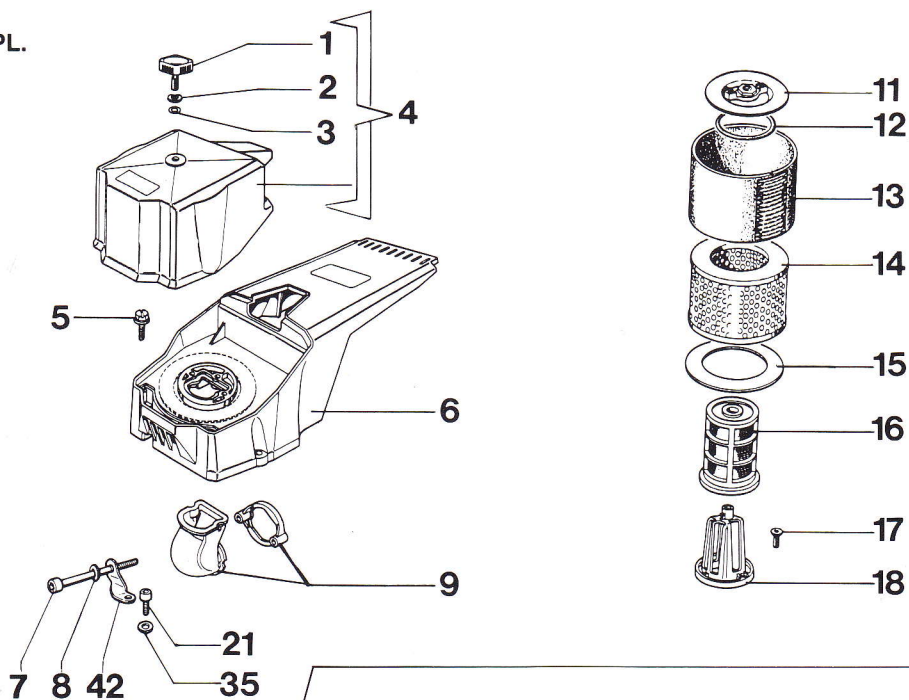
1 D5

mod. 999 - 999F

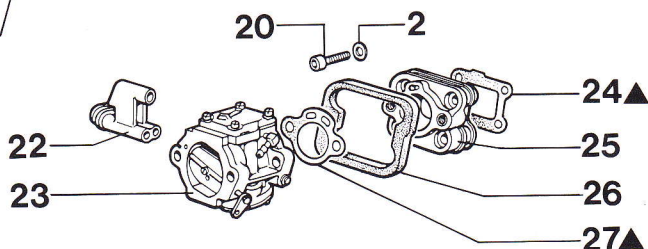
REF.	PART. NO.	SOSTITUITO DA REEMPLACÉ PAR REPLACED BY	DESCRIZIONE ITALIANO	DESCRIPTION ENGLISH	DESCRIPTION FRANÇAIS	DESCRIPCION ESPAÑOL	Bollettino - Bulletin		
							Gr.	N°	Data-Date
1	0999.00197		VITE	SCREW	VIS	TORNILLO			
2	0060.00315		RONDELLA	WASHER	RONDELLE	ARANDELA			
3	0945.00454		RONDELLA	WASHER	RONDELLE	ARANDELA			
4	0999.00162		BOCCOLA	BUSHING	BAGUE	CASQUILLO			
5	0999.00148		NASTRO FRENO	BRAKE BAND	BANDE DE FREIN	CINTA FRENO			
6	3026004		ANELLO	CLIPS	CIRCLIPS	ANILLO			
7	0999.00161		VITE	SCREW	VIS	TORNILLO			
8	0040.00090		RONDELLA	WASHER	RONDELLE	ARANDELA			
9	0999.00178		LEVA COMPL.	LEVER ASSY	LEVIER COMPL.	PALANCA COMPL.			
10	0999.00191		VITE	SCREW	VIS	TORNILLO			
11	0999.00160		VITE	SCREW	VIS	TORNILLO			
12	0999.00154A		MOLLA	SPRING	RESSORT	RESORTE			
13	0999.00609		ATTACCO	ATTACHMENT	SUPPORT	SOPORTE			
14	0999.00608 0999.00666		PROTEZIONE	CHAIN BRAKE LEWER	LEVIER FREINE	PALANCA FRENO			
15	0999.00186A		MOLLA	SPRING	RESSORT	RESORTE			
16	0999.00152		MOLLA	SPRING	RESSORT	RESORTE			
17	0945.00233		PERNO	PIN	GOUJON	PERNO			
18	0060.00156		VITE	SCREW	VIS	TORNILLO			
19	0999.00156		LAMIERINO	PLATE	PLAQUETTE	LAMINA			
20	0060.00300		BOCCOLA	BUSHING	BAGUE	CASQUILLO			
21	0999.00269		DEFFLETTORE	BAFFE PLATE	DEFLECTEUR	DEFLECTOR			
22	0999.00605		COPRICATENA ARS. ..	CHAIN COVER ORANGE	COUVERCLE ORANGE	CUBRECADENA ANAR.			
	0999.00453		COPRICATENA ROSSO	CHAIN COVER RED	COUVERCLE ROUGE ..	CUBRECADENA ROJO ..			
23	0082.00913		DADO	NUT	ECROU	TUERCA			
24	0999.00215		VITE S. FINE	WORM SCREW	VIS SANS FIN	SIN FIN			
25	0999.00216		RONDELLA	WASHER	RONDELLE	ARANDELA			
26	0999.00121 0999.00541		CUSCINETTO	BEARING	ROULEMENT	COJINETE			
27	0999.00388		CAMPANA COMPL. P. 3/8"	CLUTCH DRUM P. 3/8"	TAMBOUR EMBRAY P. 3/8"	CAMPANA P. 3/8"			
	0999.00387		CAMPANA COMPL. P. 404"	CLUTCH DRUM P. 404"	TAMBOUR EMBRAY P. 404"	CAMPANA P. 404"			
28	0999.00022		TRASCINATORE	DRIVER CLUTCH	ENTRAINEUR D'EMBAYAGE	ARRASTRADOR			
29	0999.00343		KIT PATTINI	CLUTCH SHOE SET	MASSELOTES	JUEGO DE ZAPATAS			
30	0999.00227		MOLLA	SPRING	RESSORT	RESORTE			
31	0999.00023		FRIZIONE COMPL.	COMPL. CLUTCH	EMBAYAGE COMPL. ..	EMBAGUE COMPL.			
32	0082.00923		ANELLO POWER MATE P. 3/8"	RIM SPROCKET P. 3/8"	PIGNON P. 3/8"	PIGNON P. 3/8"			
	0082.00934		ANELLO POWER MATE P. 404"	RIM SPROCKET P.404"	PIGNON P. 404"	PIGNONP. 404"			
33	0999.00192		VITE	SCREW	VIS	TORNILLO			
34	0999.00611		PROTEZIONE	PROTECTOR	PROTECTION	PROTECCION			
35	3833073		RONDELLA	WASHER	RONDELLE	ARANDELA			
36	0060.00369		VITE	SCREW	VIS	TORNILLO			
37	0999.00606A		COPRIC. COMPL. ARANCIO	CHAIN COVER ASSY OR. ...	FREINE COMPL. OR.	FRENO CADENA COMPL. ANAR.			
	0999.00454 0999.00648A		COPRIC. COMPL. ROSSO .	CHAIN COVER ASSY RED ..	FREINE COMPL. ROUGE ...	FRENO CADENA COMPL. ROJO			

GRUPPO FILTRO ARIA 2ª SERIE / AIR FILTER ASSY 2.nd SERIES
 GROUPE FILTRE AIRE 2ª SERIE / GRUPO FILTRO ARIA 2ª SERIE

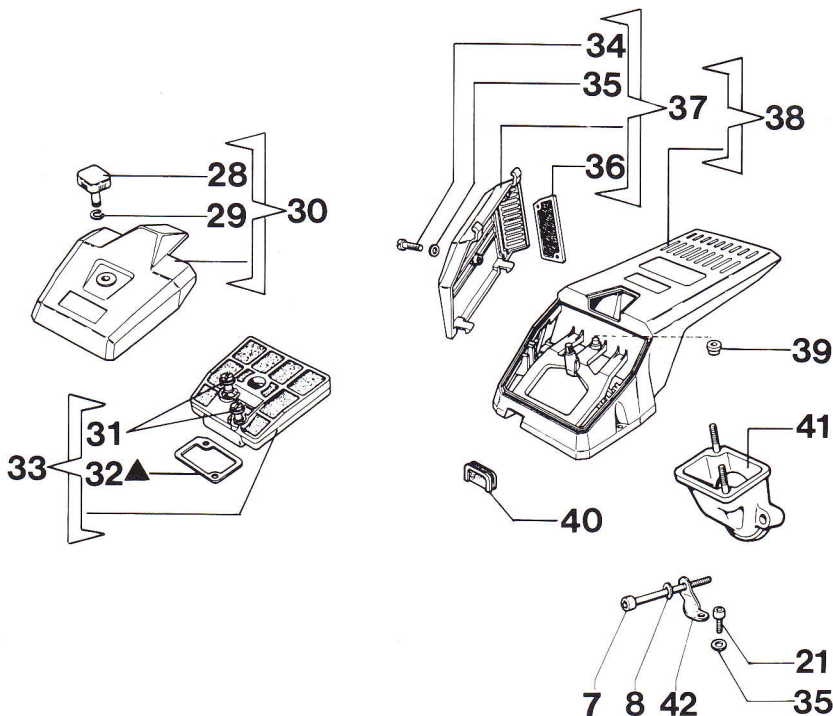
19 COMPL.



10 ▲

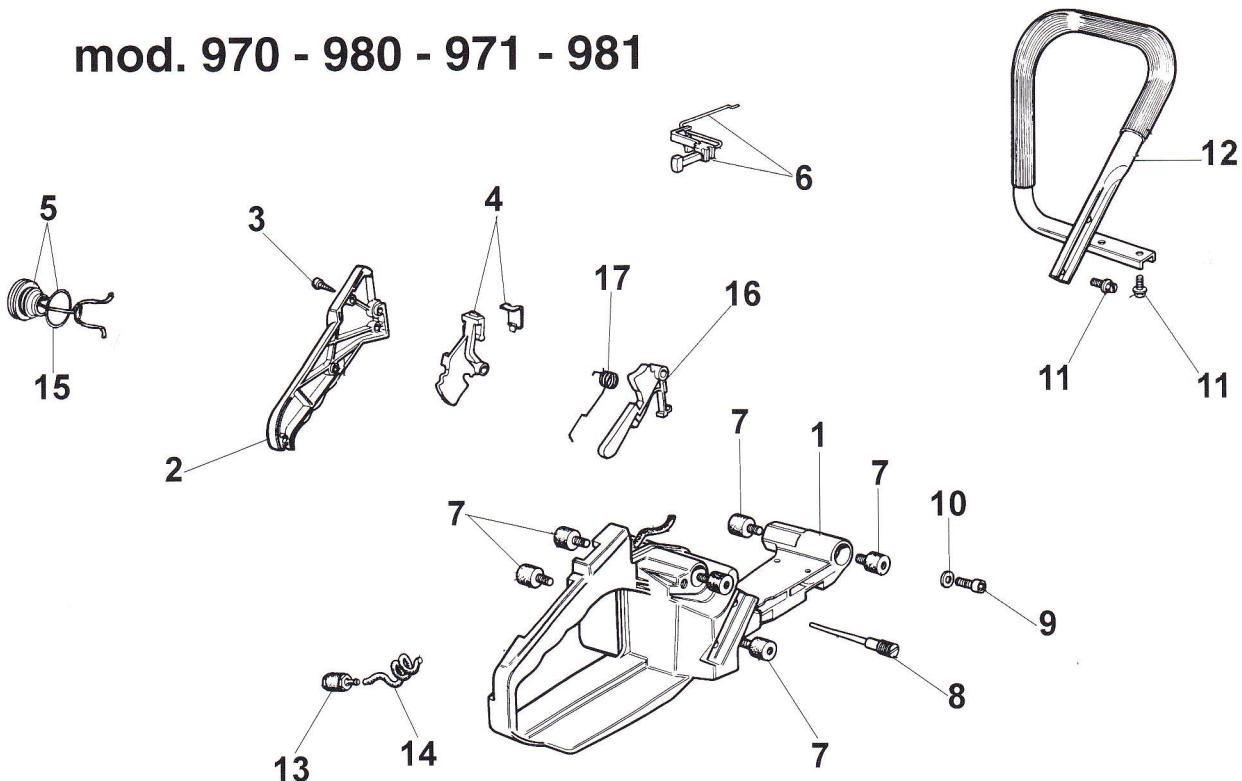


GRUPPO FILTRO ARIA 1ª SERIE / AIR FILTER ASSY 1.ST SERIES
 GROUPE FILTRE AIRE 1ª ÈRE SERIE / GRUPO FILTRO ARIA 1ª SERIE

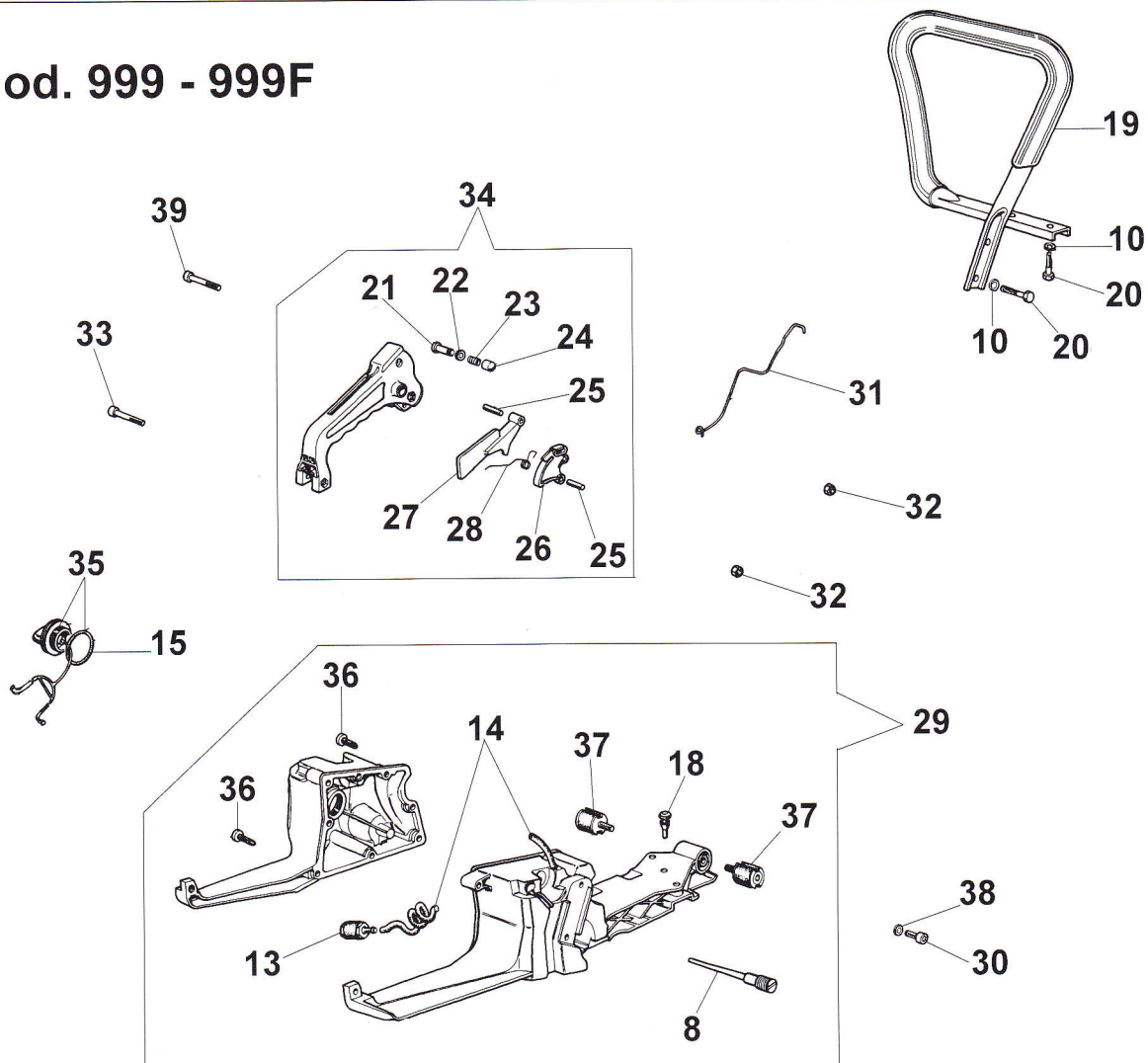


REF.	PART. NO.	SOSTITUITO DA REEMPLACÉ PAR REPLACED BY	DESCRIZIONE ITALIANO	DESCRIPTION ENGLISH	DESCRIPTION FRANÇAIS	DESCRIPCION ESPAÑOL	Boletino - Bulletin		
							Gr.	N°	Data-Date
1	0186.00108		POMELLO	KNOB	POMMEAU	PERILLA			
2	3833073		RONDELLA	WASHER	RONDELLE	ARANDELA			
3	3049005		O-R	O-RING	O-RING	O-RING			
4	0186.00107		COPERCHIO F.A.	AIR FILTER COVER	COUVERCLE	TAPA FILTRO			
5	0999.00296		VITE	SCREW	VIS	TORNILLO			
6	0186.00106		COPERCHIO GRIGIO ..	COVER GREY	COUVERCLE GRIS	TAPA GRIS			
	0186.00069		COPERCHIO NERO	COVER BLACK	COUVERCLE NOIRE	TAPA NEGRA			
7	0282.00171		VITE	SCREW	VIS	TORNILLO			
8	3033074		RONDELLA	WASHER	RONDELLE	ARANDELA			
9	0186.00278		COLLETTORE + FLANGIA ..	MANIFOLD AND FLANGE	COLLECTEUR	CONEXION			
10	0999.00344A		SERIE GUARNIZIONI ..	GASKET SET	JEU DE JOINTS	JUEGO DE JUNTAS			
11	0186.00273		COPERCHIO	COVER	COUVERCLE	TAPA			
12	3300.00010		O-R	O-RING	O-RING	O-RING			
13	0186.00075		FILTRO	FILTER	FILTRE	FILTRO			
14	0186.00058		FILTRO	FILTER	FILTRE	FILTRO			
15	0186.00090A		GUARNIZIONE	GASKET	JOINT	JUNTA			
16	0186.00056A		FILTRO	FILTER	FILTRE	FILTRO			
17	0200.00013		VITE	SCREW	VIS	TORNILLO			
18	0186.00059 52010014		CORPO FILTRO	FILTER BODY	CORPS DE FILTRE	CUERPO FILTRO			
19	0186.00150		KIT FILTRO ARIA	AIR FILTER KIT	KIT FILTRE AIRE	GRUPO FILTRO ARIA			
20	0060.00101		VITE	SCREW	VIS	TORNILLO			
21	3908003		VITE	SCREW	VIS	TORNILLO			
22	0999.00109 0999.00753		GUIDA VITI	SCREW GUIDE	GUIDE DE LA VIS	GUÌA DE TORNILLO			
23	0999.00554 0999.00663		CARBURATORE	CARBURETOR	CARBURATEUR	CARBURADOR			
24	0999.00031		GUARNIZIONE	GASKET	JOINT	JUNTA			
25	0999.00033		FLANGIA TERMICA	INSULATOR	ECRAN THERMIQUE ..	PLACA ATERMICA			
26	0999.00111		GUARNIZIONE	GASKET	JOINT	JUNTA			
27	0999.00035		GUARNIZIONE	GASKET	JOINT	JUNTA			
28	0999.00142		POMELLO	KNOB	POMMEAU	PERILLA			
29	0181.00065		ANELLO	SNAP RING	CIRCLIP	ANILLO			
30	0999.00300		COPERCHIO COMPL.	COVER ASSY	COUVERCLE COMPL.	TAPA COMPL.			
31	0945.00070		VITE	SCREW	VIS	TORNILLO			
32	0999.00213		GUARNIZIONE	GASKET	JOINT	JUNTA			
33	0999.00243		FILTRO ARIA	AIR FILTER	FILTRE AIRE	FILTRO ARIA			
34	0999.00374		VITE	SCREW	VIS	TORNILLO			
35	0060.00315		RONDELLA	WASHER	RONDELLE	ARANDELA			
36	0999.00211		FILTRO	FILTER	FILTRE	FILTRO			
37	0999.00383		COPERCHIO FILTRO ..	FILTER COVER	COUVERCLE FILTER ..	TAPA FILTRO			
38	0999.00302		COPERCHIO COMPL.	COVER ASSY	COUVERCLE COMPL.	TAPA COMPL.			
39	0060.00300		BOCCOLA	BUSHING	BAGUE	CASQUILLA			
40	0999.00175		TAPPO	CAP	BOUCHON	TAPON			
41	0999.00240		COLLETTORE	MANIFOLD	COLLECTEUR	CONEXION			
42	0999.00138A		ATTACCO CARBUR.	ATTACHMENT	ATTAQUE CARBUR.	CONEXION CARBUR.			

mod. 970 - 980 - 971 - 981



mod. 999 - 999F





SERVICE

**IMPUGNATURA E SERBATOIO / HANDLE AND FUEL TANK
POIGNEE ET RESERVOIR / EMPUNADURA Y DEPOSITO**
1 F5

mod. 970 - 980 - 971 - 981 - 999 - 999F

REF.	PART. NO.	SOSTITUITO DA REEMPLACÉ PAR REPLACED BY	DESCRIZIONE ITALIANO	DESCRIPTION ENGLISH	DESCRIPTION FRANÇAIS	DESCRIPCION ESPAÑOL	Bollettino - Bulletin		
							Gr.	N°	Data-Date
1	0970.00348A 0970.00349A		SERBATOIO ARANCIO	FUEL/OIL TANK ORANGE	RESERVOIR ORANGE	DEPOSITO ANARANCA			
2	0970.00024 0970.00184		SERBATOIO ROSSO	FUEL/OIL TANK RED	RESERVOIR ROUGE	DEPOSITO ROJO			
3	0970.00026	50010157	COPERCHIO ARANCIO	HANDLE COVER OR.	COUVERCLE ORANGE	TAPA ANAR.			
4	0970.00135		COPERCHIO ROSSO	HANDLE COVER RED	COUVERCLE ROUGE	TAPA ROJO			
5	3960040		VITE	SCREW	VIS	TORNILLO			
6	0970.00026	50010157	LEVA ACCELER.	THROTTLE LEVER	LEVIER ACCELER.	PALANCA ACEL.			
7	0970.00148		TAPPO COMPL.	CAP ASSY	BOUCHON COMPL.	TAPON COMPL.			
8	0970.00148		ASTA ACCEL. COMPL.	THROTTLE LEVER ASSY	LEVIER ACCEL. COMPL.	PALANCA ACEL. COMPL.			
9	0970.0038A		ANTIVIBRANTE	SHOCK ABSORBER	AMORTISSEUR	ANTIVIBRADOR			
10	0999.00083A		VALVOLA DI SFIATO	TANK BREATHER	SOUPEPE DE RESERVOIR	VALVULA DEL DEPOSITO			
11	0060.00251		VITE	SCREW	VIS	TORNILLO			
12	3833073		RONDELLA	WASHER	RONDELLE	ARANDELA			
13	0970.00061A		VITE	SCREW	VIS	TORNILLO			
14	0970.00110A	0980.00077	IMPUGNATURA	HANDLE	POIGNEE	EMPUNADURA			
15	0945.00207		FILTRO MIX	FUEL FILTER	FILTRE MIX	FILTRO GASOLINA			
16	50010093		TUBO MIX	FUEL LINE	TUYAU MIX	TUBO GASOLINA			
17	0999.00090		O-R	O-RING	O-RING	O-RING			
18	0970.00025		LEVA DI FERMO	LEVER	LEVIER	PALANCA			
19	0970.00028		MOLLA	SPRING	RESSORT	RESORTE			
20	0999.00268		GOMMINO	GROMMET	ENTRETOISE	GOMINO			
21	0999.00633		IMPUGNATURA	HANDLE	POIGNEE	EMPUNADURA			
22	3806022		VITE	SCREW	VIS	TORNILLO			
23	0040.00433		PERNO	PIN	GOUJON	PERNO			
24	0040.00434		RONDELLA	WASHER	RONDELLE	ARANDELA			
25	0040.00078		MOLLA	SPRING	RESSORT	RESORTE			
26	0935.00416		PULSANTE	BUTTON	BOUTON	BOTON			
27	0061.00364		PERNO	PIN	GOUJON	PERNO			
28	0999.00630		LEVA ACCEL.	THROTTLE LEVER	LEVIER ACCEL.	PALANCA DE ACEL.			
29	0999.00629		LEVA DI FERMO	LEVER	LEVIER	PALANCA			
30	0999.00145		MOLLA	SPRING	RESSORT	RESORTE			
31	0999.00660		SERB. COMPL. ARANCIO	FUEL TANK ORANGE	RESERVOIR COMPL. ORANGE	TANQUE COMPL. ANAR. ..			
32	0999.00335		SERB. COMPL. ROSSO	FUEL TANK RED	RESERVOIR COMPL. ROUGE	TANQUE COMPL. ROJO			
33	0060.00235		VITE	SCREW	VIS	TORNILLO			
34	0999.00143		ASTA ACCEL.	THROTTLE LEVER	AXE ACCEL.	PALANCA ACELER.			
35	0940.00251		DADO	NUT	ECROU	TUERCA			
36	0060.00063		VITE	SCREW	VIS	TORNILLO			
37	0999.00628		IMPUGNATURA COMPL.	HANDLE ASSY	POIGNEE COMPL.	EMPUNADURA COMPL.			
38	0999.00602		TAPPO COMPL.	FUEL CAP ASSY	BOUCHON COMPL.	TAPON COMPL.			
39	0999.00295		VITE	SCREW	VIS	TORNILLO			
40	0999.00064		SUPPORTO A.V.	SHOCK ABSORBER	AMORTISSEUR	ANTIVIBRADOR			
41	3833076		RONDELLA	WASHER	RONDELLE	ARANDELA			
42	3801035		VITE	SCREW	VIS	TORNILLO			